

G6460A5 GPU Server User Manual

Document version: V1.3
Release date: 2026/03/20

Shenzhen Gooxi Digital Intelligence Technology Co., Ltd



Statement

Copyright Statement

© Shenzhen Gooxi Digital Intelligence Technology Co., Ltd. All rights reserved.

This user manual, including but not limited to all information contained herein, is protected by copyright law.

Without the permission of Shenzhen Gooxi Digital Intelligence Technology Co., Ltd. (hereinafter referred to as "Gooxi"), no one may engage in any behavior such as imitation, copying, excerpting, forwarding, or other forms of utilization.

Disclaimer

Gooxi provides this user manual "as is" and to the extent permitted by law, makes no express or implied warranties or guarantees, including but not limited to merchantability, fitness for a particular purpose, non-infringement of any rights of others, and any warranties or guarantees regarding the use or inability to use this user manual. Gooxi also does not provide any warranties or guarantees regarding the accuracy or reliability of any information obtained using this user manual.

Due to product version upgrades or other reasons, the content of this user manual may be periodically updated. Unless otherwise specified, this user manual is provided solely as a usage guide, and users shall bear all risks associated with the use of this user manual.

Trademark Statement

Gooxi® is a trademark of Shenzhen Gooxi Digital Intelligence Technology Co., Ltd.

Microsoft® and Windows is a trademark of the Microsoft group of companies.

Linux® is a registered trademark of Linus Torvalds.

Aspeed® is a trademark of ASPEED Technology Inc.

Ownership of other trademarks belongs to their respective owners.

Foreword








This manual is the product technical manual for the G6460A5 GPU server, mainly introducing and explaining the appearance, structure, hardware installation, and basic configuration of this product.

Intended Audience

This manual is intended for reference by professional technical personnel. Installation and maintenance of this product should only be carried out by experienced technical personnel.

Symbol Conventions:

This manual uses prominent symbols to indicate items that require attention during operation:

	Warning	Indicates important information related to equipment or environmental safety. Failure to follow these instructions may result in equipment damage, data loss, performance degradation, or other unforeseen consequences.
	Danger	Indicates important information related to equipment or environmental safety. Failure to follow these instructions may result in equipment damage, data loss, performance degradation, or other unforeseen consequences.
	Blue Arrow	Indicates actions such as removal, insertion, or angled insertion.
	Red Arrow	Indicates a specific location or direction.
	Hollow Arrow	Indicates the next step or resulting action.
	Dark Blue Rotating Arrow 1	Indicates tightening screws clockwise or pulling outward.
	Dark Blue Rotating Arrow 2	Indicates loosening screws counterclockwise or pushing inward to secure.

Modification Record

Manual version	Release date	Modification
V1.0	2025-01-08	First release
V1.1	2025-05-28	Add Turin platform and Genoa platform operating temperature
V1.2	2025-12-23	Add Switch model
V1.3	2026-03-20	Update DPU configuration, update and optimize switch block diagram

Contents

Statement.....	2
Foreword.....	3
1. Product Introduction	7
1.1 Product Overview	7
1.2 Product Structure	8
1.3 Logical Structure	9
1.4 Product Specifications	12
2. Hardware Description	13
2.1 Front Panel	13
2.1.1 Appearance	13
2.1.2 Indicator lights and buttons	13
2.1.3 Interface	15
2.2 Rear Panel	15
2.2.1 Appearance	15
2.2.2 Indicator lights and buttons	16
2.3 Processors	18
2.4 Memory	18
2.4.1 Memory slot location	18
2.4.2 Memory compatibility information	19
2.4.3 Memory Installation Rules	19
2.5 Storage	20
2.5.1 Hard drive configuration	20
2.5.2 Hard drive serial number	20
2.5.3 Hard drive status indicator	20
2.6 Power Supply	21
2.7 Fans	21
2.8 I/O expansion	22
2.8.1 PCIe slot location	22
2.8.2 PCIe slot description	22
2.9 PCBA	23
2.9.1 Motherboard	23
2.9.2 Hard drive backplane	25
3. Installation Instructions	27
3.1 Chassis Top Cover Installation	27
3.2 Installation of Accessories	27
3.2.1 CPU installation	27
3.2.2 Installation of heatsink	29

3.2.3 Installation of memory	30
3.2.4 GPU card installation	31
3.2.5 Server slide rail installation	32
4. Configuration Instructions	34
4.1 Initial Configuration	34
4.1.1 Power on and start	34
4.1.2 Initial data	36
4.1.3 Configure BIOS	36
4.1.4 Configure BMC	37
5. Appendix	42
6. Scrap Recycling	44

1. Product Introduction

1.1 Product Overview

G6460A5 is an AI computing server based on the AMD EPYC Turin platform, offering powerful computational capabilities and ultra-high flexibility in expansion. It features a multi-CPU-GPU direct connection topology, making it suitable for various AI business scenarios. It is ideal for applications in artificial intelligence, cloud computing, virtualization, big data analytics, digital twins, and more.

Main Configuration:

- Supports 2 AMD EPYC Turin 9005 series processors, compatible with Genoa 9004 series processors, Max TDP 500W
- Supports 24 DDR5-4800/5600/6400MHz DIMMs
- Direct connection configuration: supports CPU-GPU direct connection for 8 cards; the front panel supports up to 12 3.5 or 2.5-inch SAS/SATA/NVMe hard drives
- Switch expansion configuration (Balance and Common expansion architectures): supports up to 10 switch expansion cards; the front panel supports up to 24 2.5-inch SAS/SATA/NVMe hard drives
- Direct configuration supports up to 12 physical 16× standard connectors; expansion configuration supports up to 14 physical x16 standard connectors, which can be used to expand GPU cards, NICs, RAID cards, and more
- The BMC chip in this motherboard uses the ASPEED AST2600 controller chip for IPMI remote management
- The motherboard supports direct connection of 2 SAS/SATA drives for RAID 0/1 configuration (optional)
- Supports NVIDIA BlueField-3 DPU NIC

physical illustration of the server is shown below:



Figure 1-1 G6460A5 12-bay front view

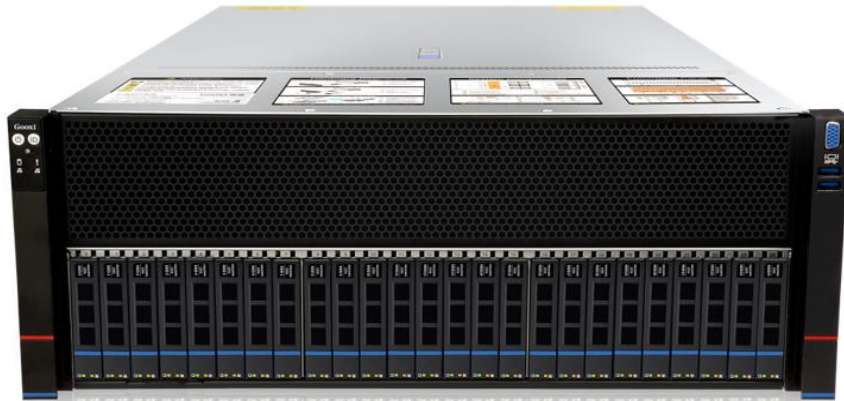


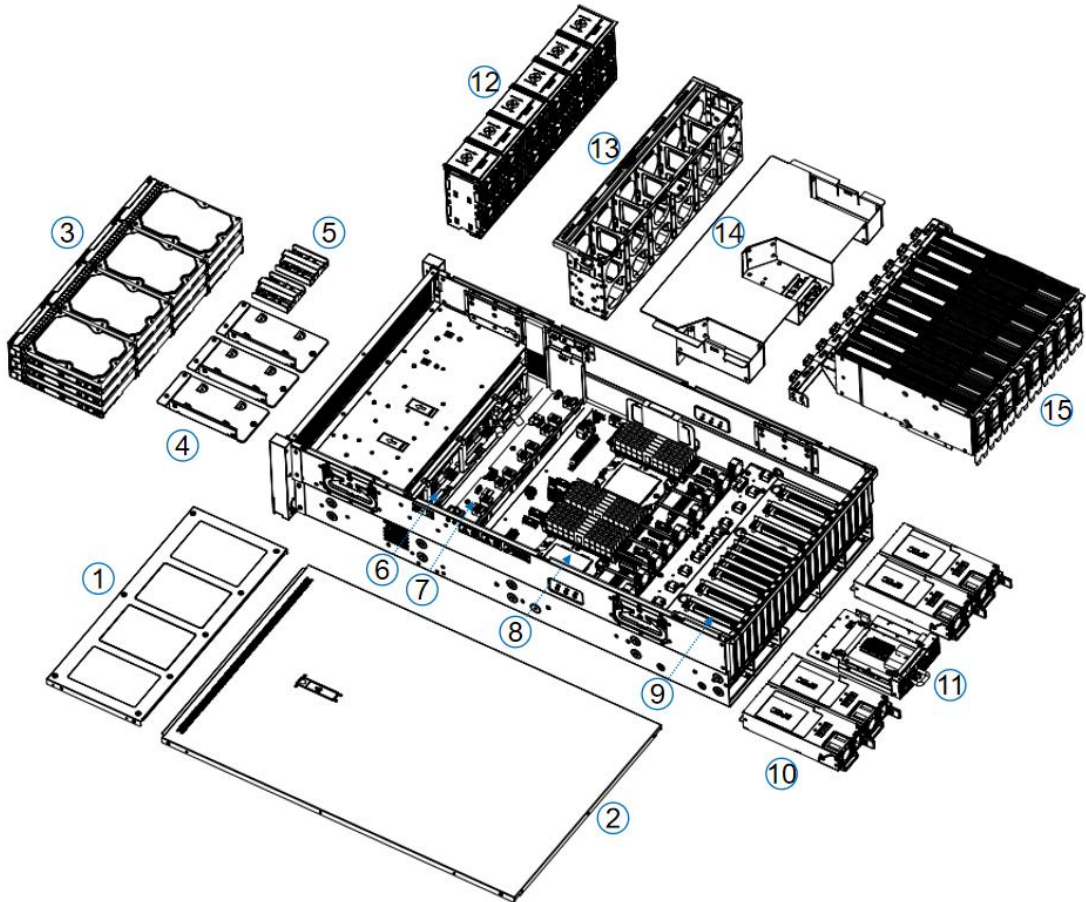
Figure 1-2 G6460A5 24-bay front view



Figure 1-3 G6460A5 Rear view

1.2 Product Structure

The components of the G6460A5 server are shown in the image below:



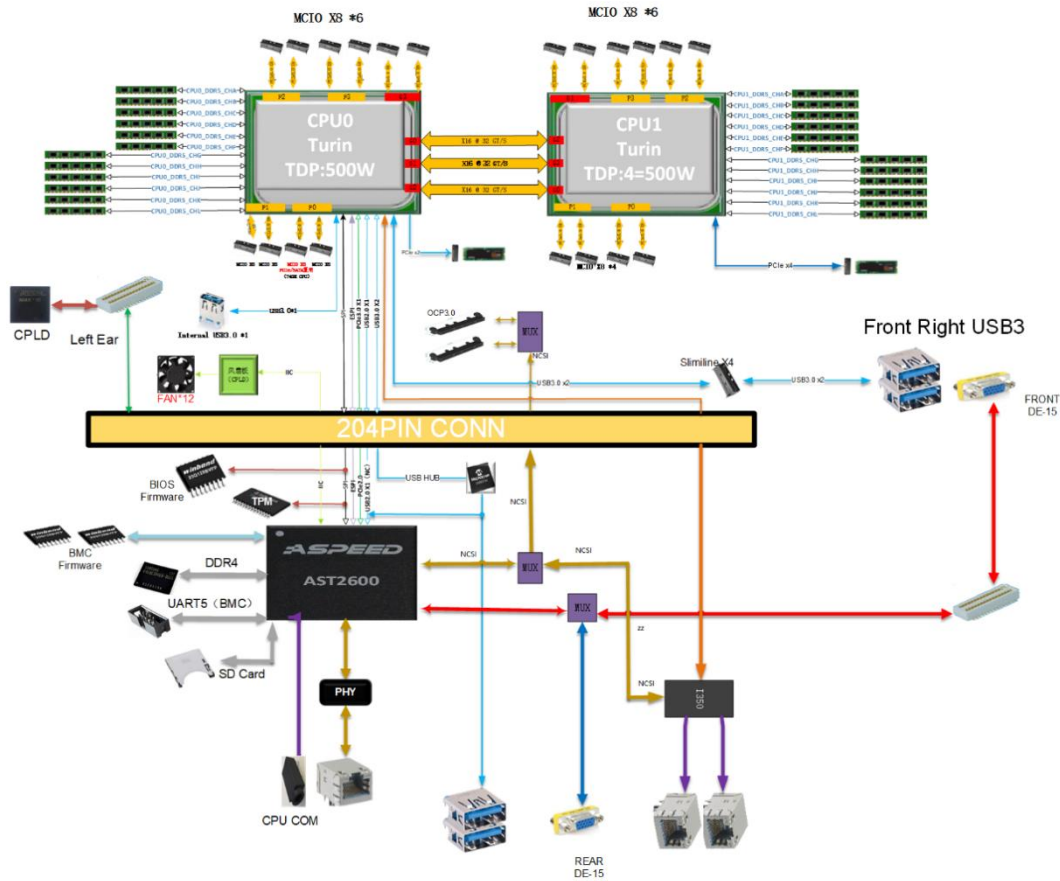
Structure diagram 1-4

No.	Name	No.	Name
1	Front Top Cover	9	PCIe Slot (Riser Cable)
2	Rear Top Cover	10	Redundant Power Supply *4
3	Front Hard Drive Tray Module *12	11	Rear I/O Module
4	RAID Card Expansion Bracket	12	12*6056 Fan Module
5	RAID Card Battery Expansion Bracket	13	Fan Frame
6	12-Bay Triple-Mode Backplane	14	Air Duct
7	Fan Power Board	15	GPU Module
8	Motherboard		

Table 1-1

1.3 Logical Structure

The logical diagram of the G6460A5 server is shown below:



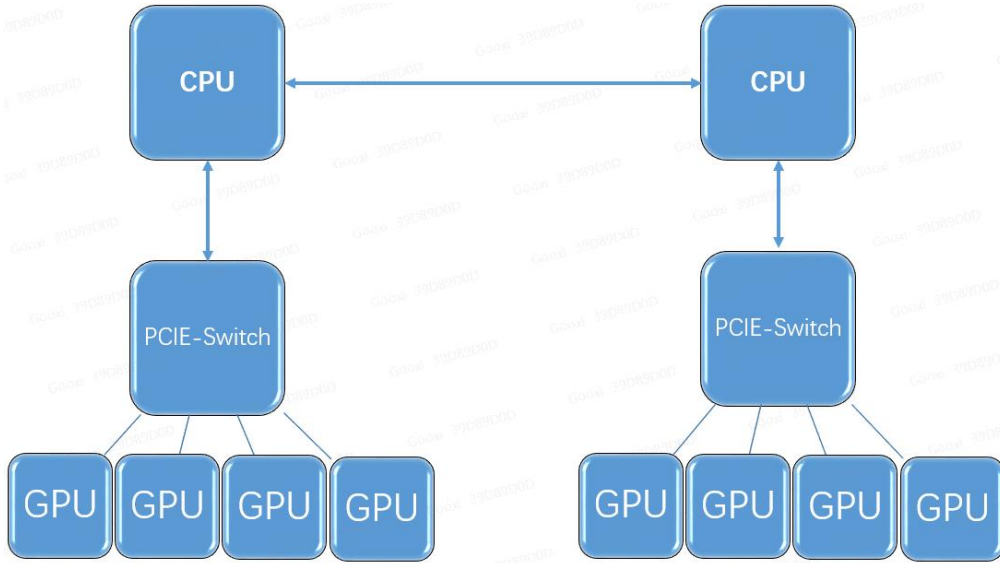
Motherboard logic block diagram 1-4

- Supports 2 AMD EPYC Turin 9005 series processors, compatible with Genoa 9004 series processors, with a TDP of 500W
- Each CPU supports 12 DIMMs, with a total of 24 slots for two CPUs, supporting individual module capacities of 16GB, 32GB, 64GB, and 128GB. The maximum supported memory frequency is 6400 MHz
- The motherboard supports direct connection of 2 SAS/SATA drives (RAID supported)
- Supports Balance (HPC) and Common (Switch Parallel) expansion architectures:
- ◆ Balance Architecture (Ideal for GPU Passthrough Virtualization and GPU Cloud Applications)

1. Two GPU groups are independently attached to two CPUs, enabling load balancing and higher CPU computing performance.

2. Each group of four GPUs communicates through a PCIe switch, providing high intra-group GPU communication efficiency.

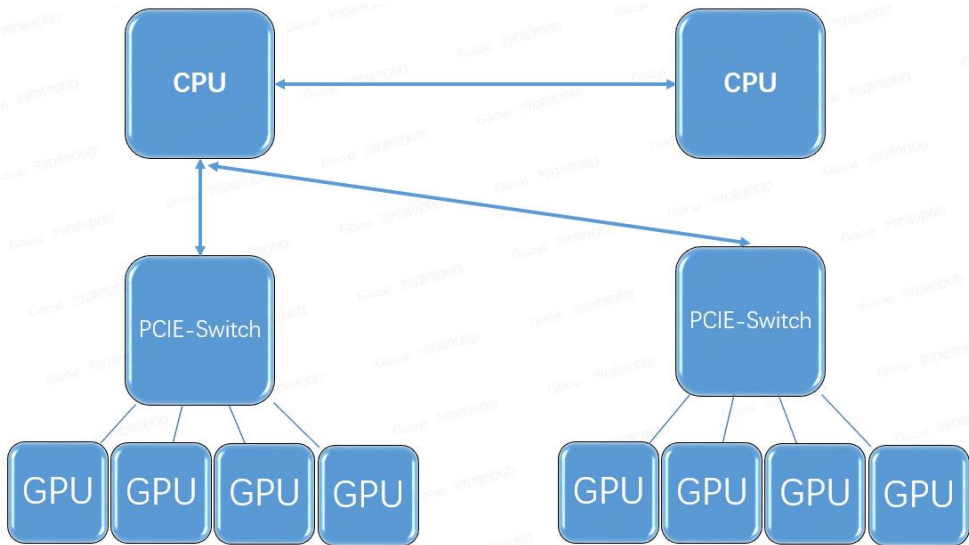
3. Delivers high concurrent bandwidth between GPUs and CPUs.



◆ Common Architecture (Optimized for AI Training and GPU P2P Communication)

1. All GPUs are attached to a single CPU, with four PCIe x16 links allocated for CPU–GPU communication.

2. Each group of four GPUs communicates through a PCIe switch, providing high intra-group GPU communication efficiency.



- 20 × PCIe 5.0 x8 MCIO ports
- Rear I/O can be equipped with 2 × 1G RJ45 ports as standard and supports 1 optional OCP 3.0 NIC
- The BMC uses the ASPEED AST2600 controller chip and supports IPMI remote management

1.4 Product Specifications

Product Series	4U Rackmount Server		
Model	G6460A5		
Architecture	Direct Connection Mode	Expansion Mode (with DPU Support)	Expansion Mode
Form Factor	8-GPU AI Server		10-GPU AI Server
GPU	Supports 8 × 600W dual-width RTX 5090 blower GPUs or other 600W blower GPUs; utilizes an 8-GPU rear parallel airflow cooling layout and supports GPU widths up to 50 mm		
Processor	Supports 2 AMD EPYC Turin 9005 series processors, compatible with Genoa 9004 series processors, Max TDP 500W		
Memory	24 DDR5 slots, supports DDR5 RDIMM 4800/6400 MHz; Supports individual module capacities of 16GB, 32GB, 64GB, 128GB		
Internal Storage	2*M.2 (1*PCIE 3.0 x2, 1*PCIE 3.0 x4)		
Front Hard Drives	12 hot-swappable 3.5/2.5-inch SAS/SATA/NVMe hard drives	24 hot-swappable 2.5-inch SAS/SATA/NVMe hard drives	
External Ports	Front ports: 2 USB 3.0, 1 VGA port		
	Rear ports: 1 serial port, 2 USB 3.0, 1 VGA, 1 RJ45 management port, 2*1G RJ45 service network ports		
PCIe Expansion	Direct Connection configuration supports up to 12 PCIe expansion slots; Expansion configuration supports up to 14 PCIe expansion slots.		
Power Supply	3+1 or 2+2 redundant (2000W/2200W/2600W)		
Fan	Standard 12 hot-swappable 6056 N+1 redundant fans		
Security	Supports TPM 2.0 module, chassis open alarm, BMC/redundancy		
Certification	CE, FCC, CQC		
RoHS	Compliant with RoHS 2.0		
Working Temperature & Humidity	Turin Platform: 5°C–30°C		
	Genoa Platform: 5°C–35°C		
Storage Temperature & Humidity	Humidity: 30%–80% RH		
	Temperature: -40°C ~ +70°C Humidity: 20%~90%(including packaging)		
Dimension	850mm * 444mm * 176.4mm (D * W * H)		

Table 1-2

2. Hardware Description

2.1 Front Panel

2.1.1 Appearance

- 12x3.5-inch hard drive configuration

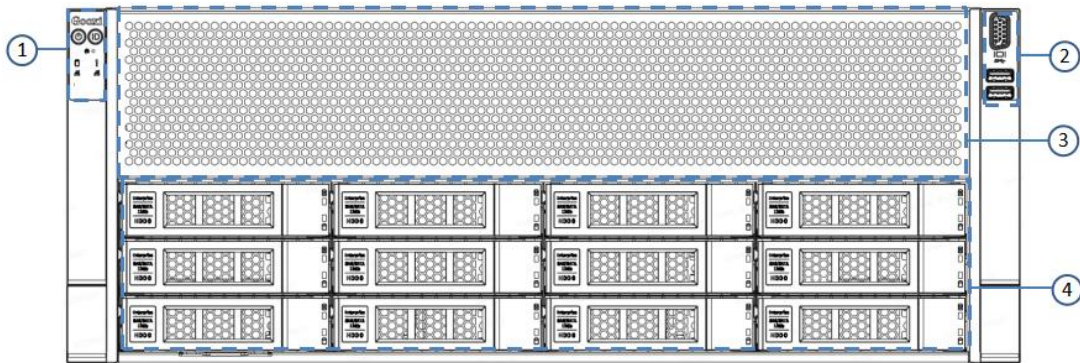


Figure 2-1

No.	Name	No.	Name
1	Left Ear Integrated Assembly	2	Right Ear Integrated Assembly
3	Front Panel	4	Hard Drive Module

Table 2-1

2.1.2 Indicator lights and buttons

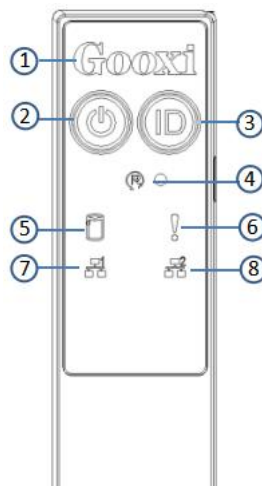


Figure 2-3

No.	Indicator/button	No.	Indicator/button
1	Gooxi Logo	5	M.2 Hard Drive Activity









			Indicator
2	Power Switch Button/Indicator	6	System Alarm Indicator
3	UID Button/Indicator	7	Network Port 1 Connection Status Indicator
4	Reset Button (Reboot Server)	8	Network Port 2 Connection Status Indicator
LED status description			
Logo	Indicator/button	Status description	
		Gooxi logo	
	Power indicator	<p>Description of the power indicator light:</p> <p>Green (steady on): Indicates that the device has been powered on normally.</p> <p>Green (blinking): Indicates that the device is in standby.</p> <p>Green off: Indicates that the device is not powered on.</p> <p>Power button description:</p> <p>Short press this button in the power-on state, and the OS will shut down normally.</p> <p>Press and hold the button for 6 seconds in the power-on state to force the server to Power off.</p> <p>Short pressing this button in the standby state allows for powering on.</p>	
	UID button/indicator	<p>The UID button/indicator is used to conveniently locate the server to be operated, and the indicator can be turned off or on by manually pressing the UID button or remotely controlling the BMC command.</p> <p>Description of UID indicator light:</p> <p>Blue (steady on/blinking): Indicates that the server is located.</p> <p>Off: Indicates that the server is not located.</p> <p>UID button description: Short press this button to turn on/off the positioning light.</p>	
	Reset server button	Press to restart the server	
	Hard drive indicator	Blinking green light: The hard drive is operating normally	
	System alarm indicator light	System alarm indicator light. It includes system, fan, and power alarms, etc. Specific details can be viewed through the IPMI management software.	
	Network port connection status indicator light	<p>Indicator lights for Ethernet ports corresponding to the network card slots.</p> <p>Green (steady): Indicates a normal network connection.</p> <p>Off: Indicates an unused or faulty network port.</p> <p>Note: Corresponds to the two 1GE Ethernet ports on the motherboard.</p>	
	Network port connection status indicator light	<p>Indicator lights for Ethernet ports corresponding to the network card slots.</p> <p>Green (steady): Indicates a normal network connection.</p> <p>Off: Indicates an unused or faulty network port.</p> <p>Note: Corresponds to the two 1GE Ethernet ports on the motherboard.</p>	

Table 2-2

2.1.3 Interface

- Interface location

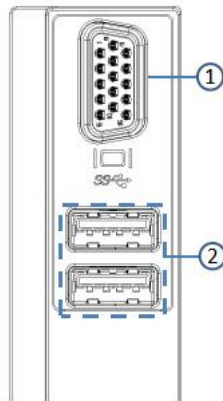


Figure 2-4

No.	Name	No.	Name
1	VGA Port	2	USB3.0 Interface

Table 2-3

- Interface description

Name	Type	Qty	Description
VGA Port	DB15	1	Used to connect display terminals, such as monitors or KVMs
USB Interface	USB3.0	2	Used to connect USB devices

Table 2-4

2.2 Rear Panel

2.2.1 Appearance

- Rear panel external interface

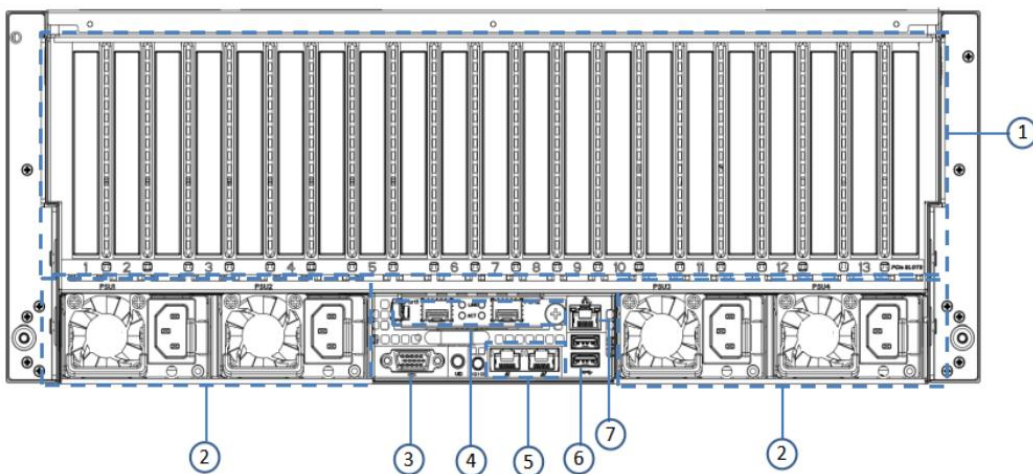


Figure 2-5

No.	Name	No.	Name
1	PCIe Rear Window	5	RJ45 Gigabit Network Port
2	Power Module	6	USB 3.0 Port
3	VGA Port	7	Management Network Port
4	OCP Card		

Table 2-5

Note:

- The rear window of this product can be customized according to the needs. The above picture is for reference only, and the actual configuration shall prevail.
- Rear panel interface description

No.	Name	No.	Name
Name	Type	Qty	Description
VGA interface	DB 15	1	Used to connect a display terminal, such as a monitor or KVM.
Management network port	GE BASE -T	1	Provides an outgoing 1000Mbit/s Ethernet port. Through this interface, the local server can be managed.
USB interface	USB 3.0	2	Provides external USB interface, through which USB devices can be connected. Note: When using external USB devices, please ensure the USB device is in good condition, as otherwise it may lead to abnormal server operation.
RJ45 10 Gigabit network port	GE BASE-T	2	Optional server network ports.

Table 2-6

2.2.2 Indicator lights and buttons

- Rear Panel Indicators

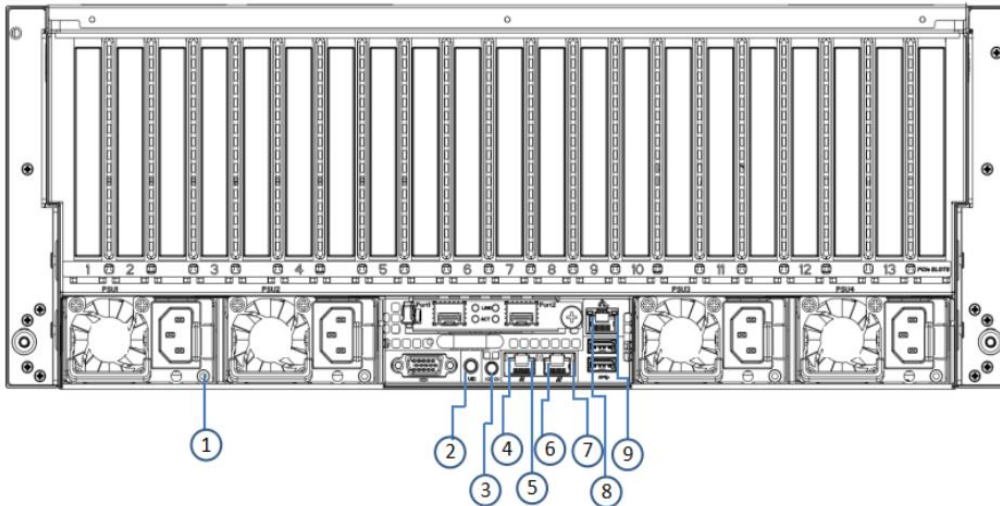


Figure 2-6

No.	Name	No.	Name
1	Power Module Indicator Light	2	UID Button
3	COM Port	4	RJ45 Network Port Connection Status Indicator
5	RJ45 Network Port Data Transmission Status Indicator	6	RJ45 Network Port Connection Status Indicator
7	RJ45 Network Port Data Transmission Status Indicator	8	Management Network Port Connection Status Indicator
9	Management Network Port Data Transmission Status Indicator		

Table 2-7

- Description of Power Module Indicators

Indicator light /button	Status description
Power module indicator	Green (steady): Indicates normal input and output. Orange (steady): Indicates AC power cord unplugged or power module missing. Only one parallel-connected power module has AC input. Power module malfunction leads to output shutdown, such as OVP, OCP, fan failure, etc. Green (1Hz/blinking): Indicates normal input, but low voltage (less than 12V) or the power supply is in intelligent on state. Green (2Hz/blinking): Indicates firmware online upgrade process. Orange (1Hz/blinking): Indicates continuous power-running warning events such as high temperature, high power, high current. Off: Indicates no AC power input.
Connection Status Indicator	Steady green: Indicates Gigabit Link. Steady orange: Indicates 100-megabit link. Off: Indicates 10-megabit link.
Data transmission status indicator	Yellow (blinking): Indicates that data is being transmitted. Off: Indicates no data transmission.
UID button	UID button on the server provides control
COM Port	Serial Communication Port

Table 2-8

2.3 Processors

- Supports 2 AMD EPYC Turin 9005 series processors, compatible with Genoa 9004 series processors
- When configuring a single processor, it must be installed in CPU 0 position
- Processors used in the same server must be of the same model
- For available system configuration options, please contact Gooxi sales
- Processor location is shown in the diagram below:

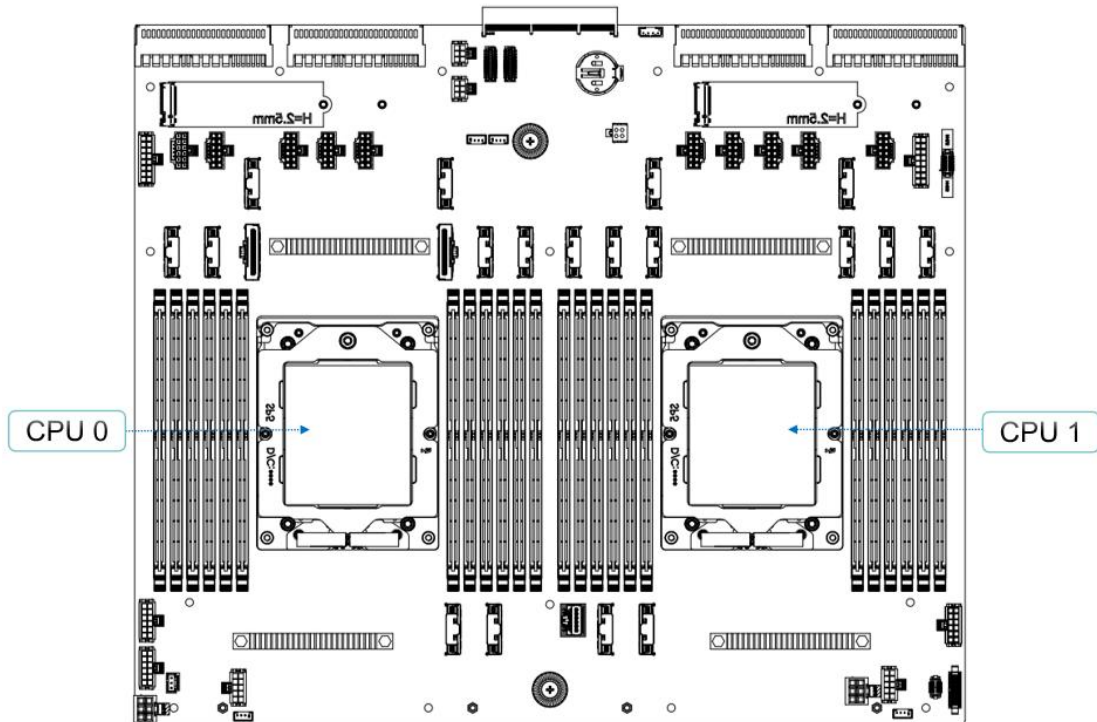


Figure 2-7

2.4 Memory

2.4.1 Memory slot location

Developed based on the AMD EPYC Turin platform, supporting 2 AMD EPYC Turin series processors, compatible with Genoa series processors. Each CPU supports 12 DIMM slots, with a total of 24 slots for dual-CPU configurations. Memory frequency supports 4800/6400MHz. The positions are shown in the diagram below:

- memory slot location

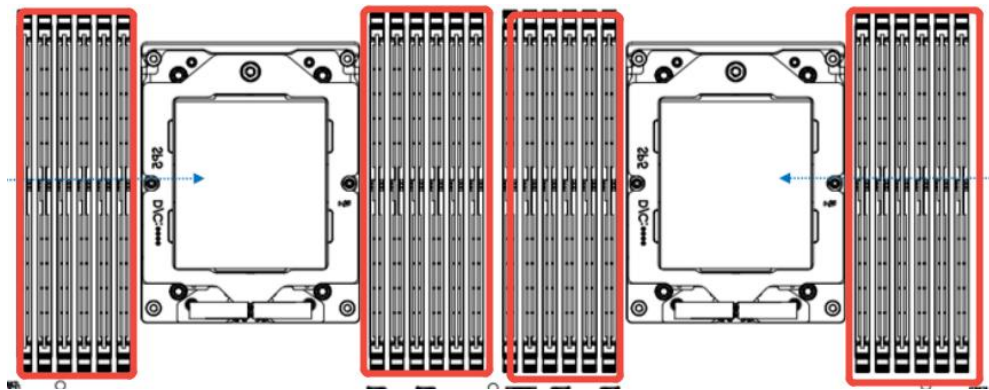


Figure 2-8

2.4.2 Memory compatibility information

Note:

- The same model of DDR5 memory must be used in a single server, and all memory modules must operate at the same speed, determined by the lowest of the following values:
 - Maximum supported memory speed of the specific CPU
 - Maximum operating speed of the specific memory configuration
 - Different types (RDIMM, LRDIMM) and different specifications (capacity, bus width, rank, height, etc.) of DDR5 memory cannot be mixed

2.4.3 Memory Installation Rules

The server supports up to 24 DDR5 memory modules, and memory installation must follow the memory installation guidelines. (For details, refer to the AMD CPU Memory Installation Guide.)

Number of Memory Channels Populated	Recommended Memory Channels (UMC to Memory Channel Mapping)													Nodes per Socket (NPS) Supported ²
	Memory Channel	A	C	B	E	D	F	G	I	H	K	J	L	
12	Memory Channel	A	C	B	E	D	F	G	I	H	K	J	L	NPS4, NPS2, NPS1
	UMC Instance	3	0	4	1	5	2	9	6	10	7	11	8	
10	Memory Channel	A	C	B	E	D		G	I	H	K	J		NPS2, NPS1
	UMC Instance	3	0	4	1	5		9	6	10	7	11		
8	Memory Channel	A	C	B	E			G	I	H	K			NPS4, NPS2, NPS1
	UMC Instance	3	0	4	1			9	6	10	7			
6	Memory Channel	A	C	B				G	I	H				NPS2, NPS1
	UMC Instance	3	0	4				9	6	10				
4	Memory Channel	A	C					G	I					NPS4, NPS2, NPS1
	UMC Instance	3	0					9	6					
2	Memory Channel	A						G						NPS2, NPS1
	UMC Instance	3						9						
1	Memory Channel	A												NPS1
	UMC Instance	3												

Figure 2-9

2.5 Storage

2.5.1 Hard drive configuration

SKU	Configuration	Description
1	2 NVMe SSDs 8 SATA/SAS HDDs/SSDs	SAS drives require an HBA or RAID card
2	4 NVMe SSDs	/
3	12 NVMe SSDs	Expansion configuration
4	24 NVMe SSDs	Expansion configuration

Table 2-9

2.5.2 Hard drive serial number

- 12x3.5-inch hard drive configuration

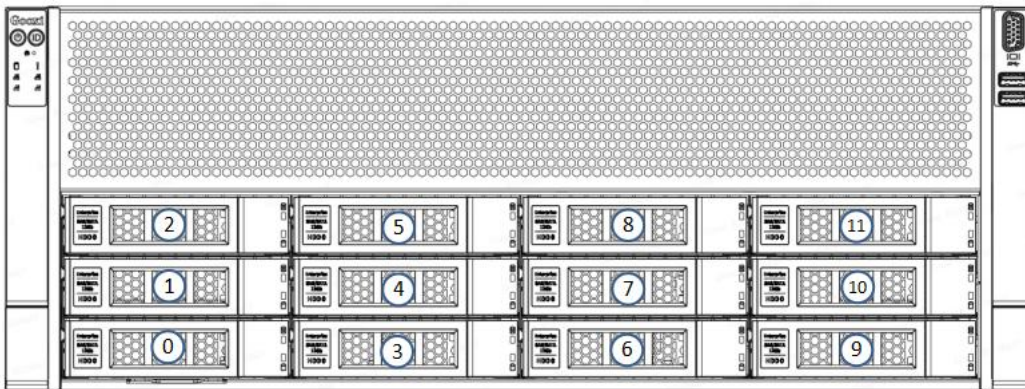


Figure 2-10

2.5.3 Hard drive status indicator

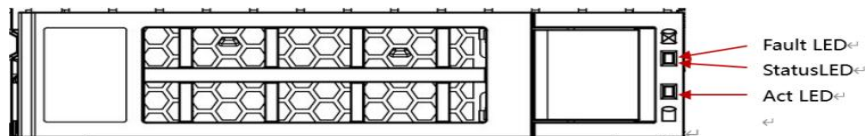


Figure 2-12

- Hard drive status indicator description

Function	Act LED	Fault LED	Status LED
Hard drive Presenting	Steady on	Off	Off
Hard drive activity	Blinking at 4Hz/sec	Off	Off
Hard drive positioning	Steady on	Blinking at 4Hz /sec	Off
Hard drive error	Steady on	Off	Steady on
Raid rebuilding	Steady on	Off	Blinking at 1Hz/sec

Table 2-10

2.6 Power Supply

- Supports 4 power modules
- Supports AC or DC power modules
- Hot-swappable support
- When configuring with 4 power modules, supports 3+1 or 2+2 redundancy
- Power modules configured in the same server must be of the same model
- For specific optional system components, please consult Gooxi sales
- The power module locations are shown in the diagram below:

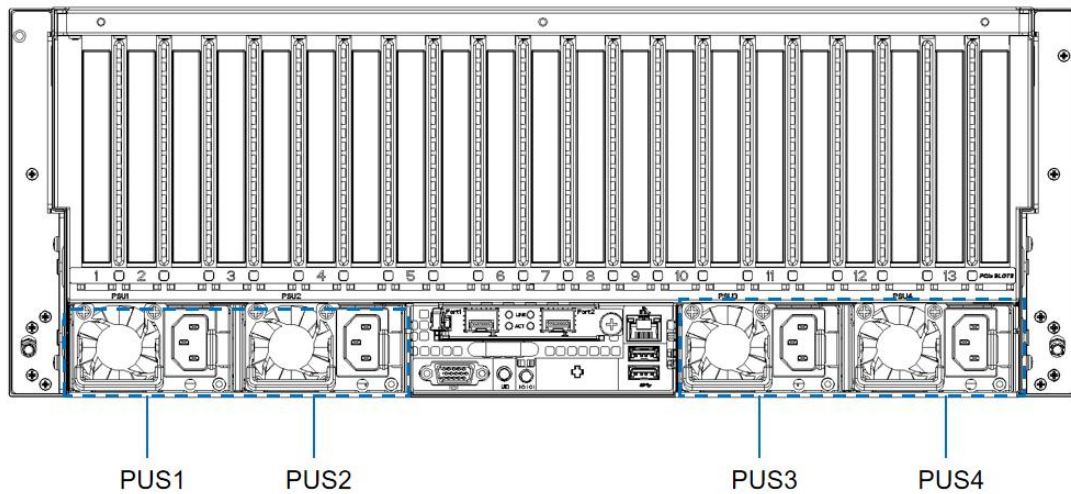


Figure 2-13



The device is equipped with two identical, hot-swappable power modules, which must supply power simultaneously for the product to function properly.

2.7 Fans

- The chassis supports 12*6506 fan modules.
- Hot-swappable support.
- Supports single fan failure.
- Supports variable fan speed.
- Fan modules configured in the same server must be of the same model.
- The fan locations are shown in the diagram below:

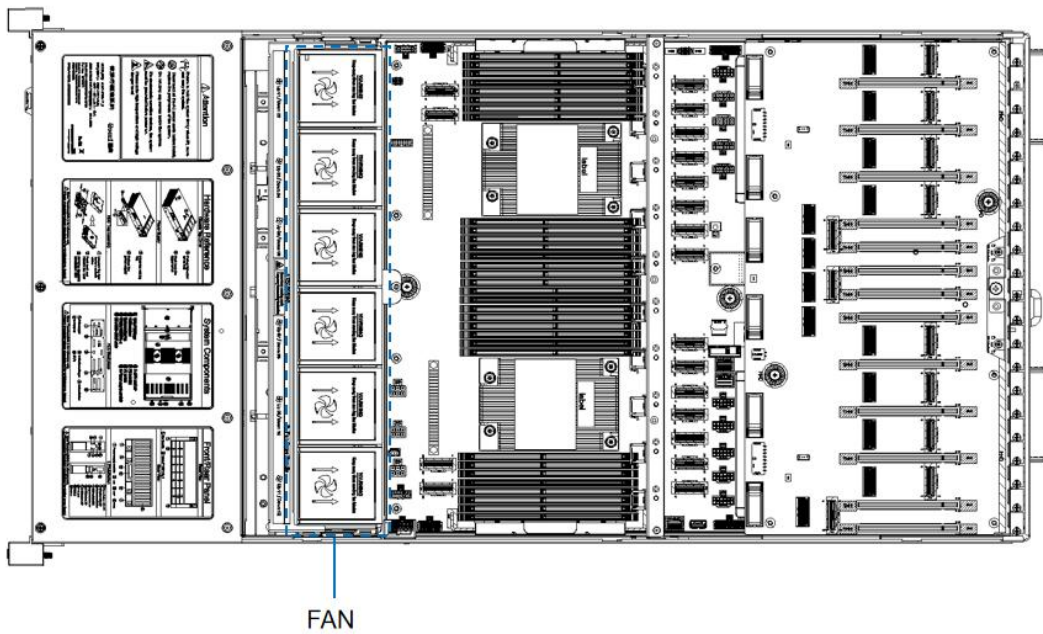


Figure 2-14

2.8 I/O expansion

2.8.1 PCIe slot location

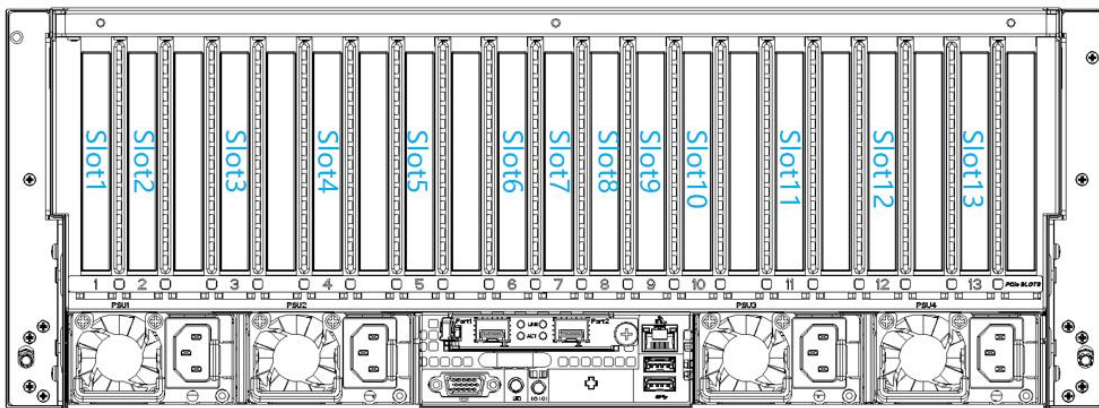


Figure 2-15

- The 12-bay direct connection configuration: Provides physical space for slot1–slot13, supporting up to 12 PCIe slots. slot2–slot5 and slot10–slot13 support dual-width GPU, while slot1, slot7, slot8, and slot9 support single-width PCIe cards.

2.8.2 PCIe slot description

Pass-through PCIe slot configuration

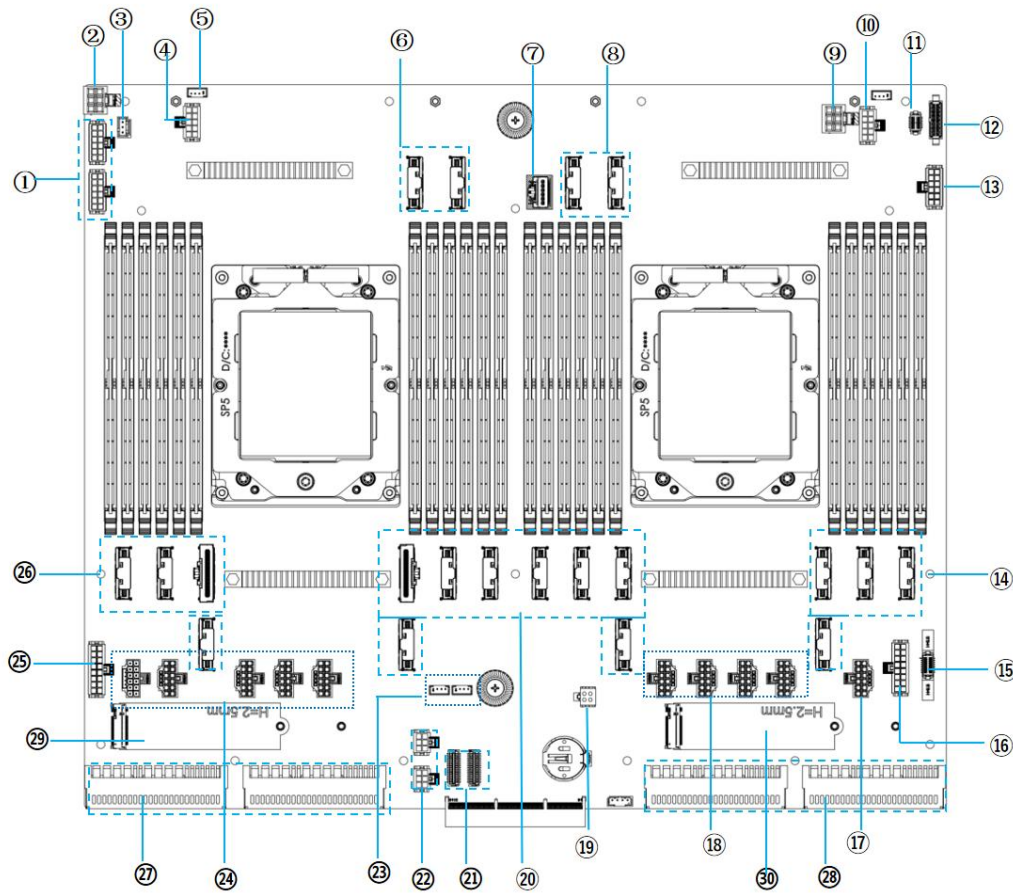
PCIe slot	Subordinate CPU	PCIe standard	Bus bandwidth	Slot size
-----------	-----------------	---------------	---------------	-----------

Slot 1	CPU1	PCIe 5.0	X8	Single-width, full-height, full-length
Slot 2	CPU1	PCIe 5.0	X16	Dual-width, full-height, full-length
Slot 3	CPU1	PCIe 5.0	X16	Dual-width, full-height, full-length
Slot 4	CPU1	PCIe 5.0	X16	Dual-width, full-height, full-length
Slot 5	CPU1	PCIe 5.0	X16	Dual-width, full-height, full-length
Slot 7	CPU1	PCIe 5.0	X8	Single-width, full-height, full-length
Slot 9	CPU1	PCIe 5.0	X8	Single-width, full-height, full-length
Slot 10	CPU0	PCIe 5.0	X16	Dual-width, full-height, full-length
Slot 11	CPU0	PCIe 5.0	X16	Dual-width, full-height, full-length
Slot 12	CPU0	PCIe 5.0	X16	Dual-width, full-height, full-length
Slot 13	CPU0	PCIe 5.0	X16	Dual-width, full-height, full-length
<p>Note:</p> <ul style="list-style-type: none"> ◆ PCIe x16 slots are backward compatible with PCIe x8, PCIe x4, and PCIe x1 cards. However, upward compatibility is not supported, meaning the slot bandwidth cannot be smaller than the PCIe card's bandwidth. ◆ Full-height, full-length PCIe slots are backward compatible with half-height, half-length PCIe cards. ◆ All slots can supply up to 75W of power to PCIe cards, though the actual power consumption depends on the specific model of the PCIe card. ◆ Onboard 20 PCIe 5.0 x8 MCIO ports, supporting up to 13 PCIe 5.0 expansion slots. 				

Table 2-11

2.9 PCBA

2.9.1 Motherboard



Motherboard Figure 2-16

No.	Name
1, 13	BP power
2, 9	Riser cable power
3	Chassis intrusion switch connector
4, 10	Fan power
5	Liquid leakage detection interface
6, 8, 14, 20, 26	MCIO connectors * 20
7	Right mounting ear connector
11	I2C connector
12	FAN BP Control
15	Left mounting ear connector
16, 25	Power switch
17, 18, 24	GPU Power
19	Power switch
21	NCSI

22	OCP Power
23	I2C
27,28	PSU connector
29, 30	M.2

Table 2-12

2.9.2 Hard drive backplane

- 12 × 3.5-inch Front Hard Drive Backplane

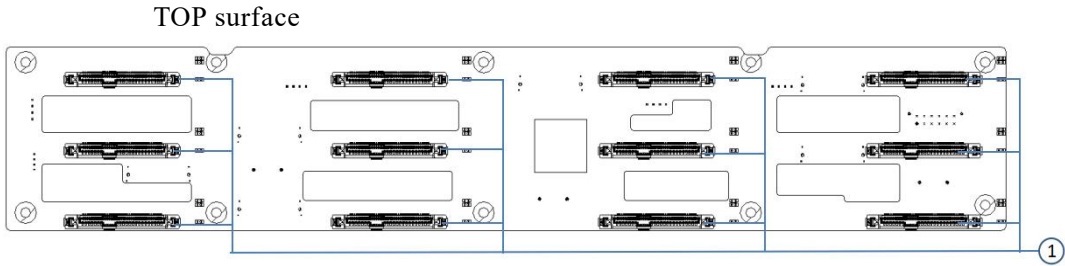


Figure 2-17

No.	Description	Function
1	SFF-8639 U.2 Drive Connector	Supports PCIe x4 and SAS/SATA U.2 interface, used for connecting HDD/SSD/NVMe

Table 2-13

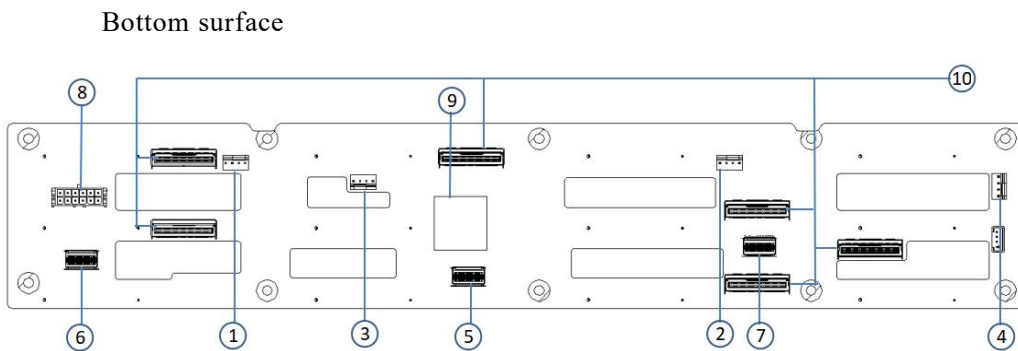


Figure 2-18

No.	Description	Function
1、 2、 3、 4	Temperature-controlled Fan Sockets	For 4-pin fan interfaces
5、 6、 7	SFF-8654 Slimline Connectors	Provide SAS/SATA x4 interfaces for connecting to PCH or HBA/RAID cards
8	Power Connector	Backplane power transmission connector, used for 12V power transmission

9	CPLD Chip	Mainly used for lighting control of NVMe SSDs and SAS/SATA HDDs
10	MCIO Connector	Provides PCIe x8 interface for connecting to CPU and NVMe SSD

Table 2-14

3. Installation Instructions

3.1 Chassis Top Cover Installation

- Step 1: Lift the slot at the opening position, push and lift it in the direction indicated by the diagram.

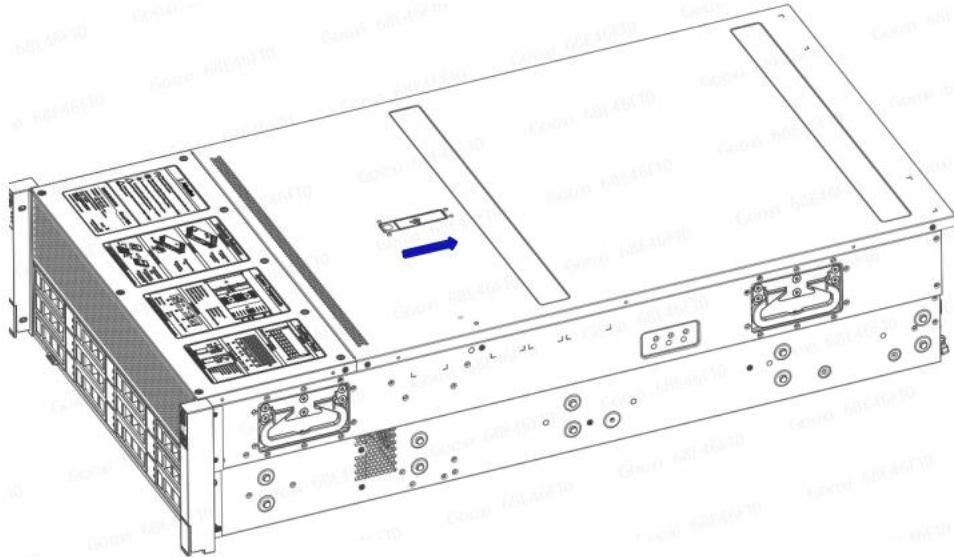


Figure 3-1

3.2 Installation of Accessories

3.2.1 CPU installation

Before starting the CPU installation, please read the following guidelines:

- Make sure the motherboard supports the CPU.
- Before installing the CPU, be sure to turn off the computer and unplug the power cord from the power outlet to prevent hardware damage.
- Disconnect all cables from the power socket.
- Disconnect all communication cables from their ports.
- Place the system unit on a flat and stable surface.
- Follow the instructions to turn on the system.

Warning!

Serious damage could result if the server is not properly shut down before beginning component installation. Unless you are a qualified maintenance technician, otherwise do not attempt the steps described in the following sections.

Follow the instructions below to install the CPU:

1. Loosen the three screws securing the CPU cover in the order of (3 → 2 → 1).
2. Flip open the CPU cover.
3. Use the handle on the CPU tray to detach the CPU tray from the CPU rack.
4. Using the handle on the CPU tray, insert the new CPU tray with the installed CPU back

into the CPU rack.

! Note: Ensure that the CPU is oriented correctly in the CPU tray, aligning the triangle on the CPU with the top left corner of the CPU carrier.

5. Flip the CPU rack containing the installed CPU into the correct position over the CPU socket.
6. Position the CPU cover over the CPU socket in the appropriate location.
7. Tighten the screws of the CPU cover in the order of (1 → 2 → 3) to secure the CPU cover in place. Torque: 16.1 kgf-cm (14.0 lbf-in).
8. Repeat steps 1-7 for the second CPU.
9. To remove the CPU, follow steps 1-7 in reverse order.

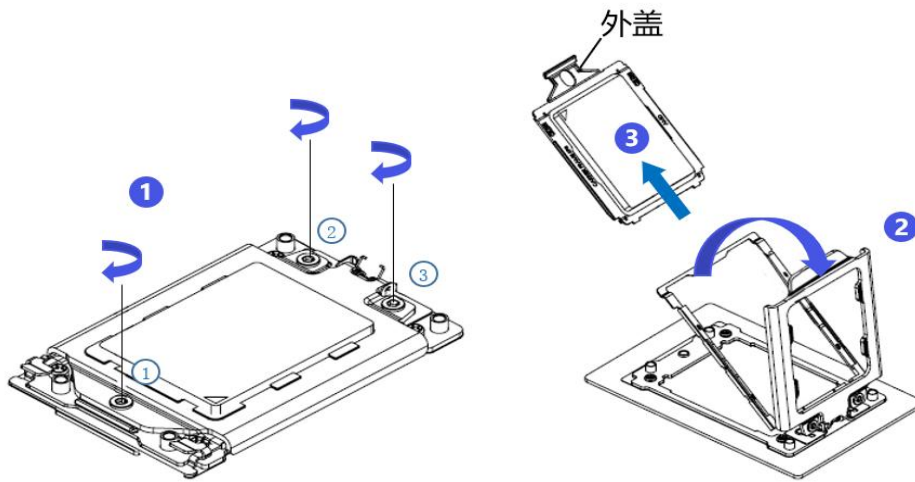


Figure (3-2)

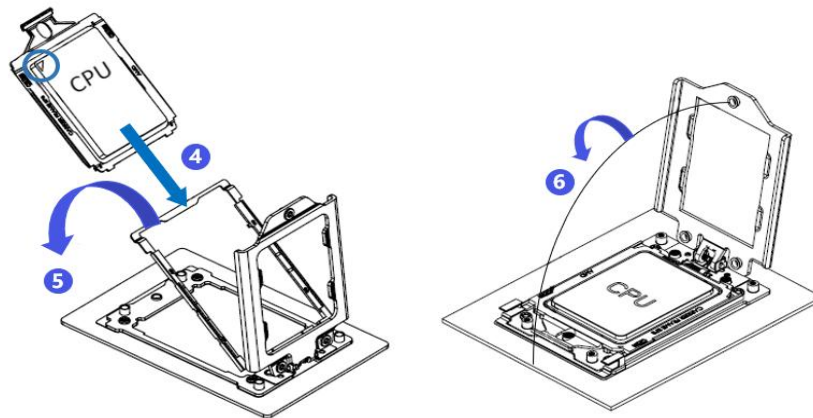


Figure (3-3)

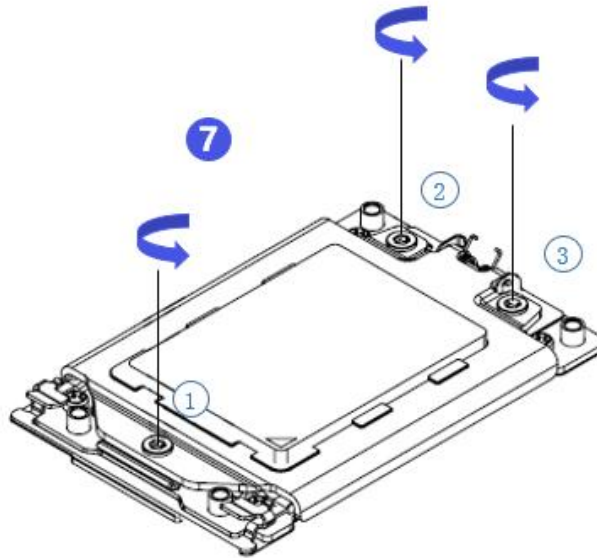


Figure (3-4)


3.2.2 Installation of heatsink

Before starting to install the heatsink, please read the following guidelines:

- Before installing the heatsink, please be sure to turn off the computer and unplug the power cord from the power outlet to prevent damage to the hardware.
- Unplug all cables from the power outlet.
- Disconnect all communication cables from their ports.
- Place the system unit on a flat and stable surface.
- Follow the instructions to turn on the system.

 **Warning!**

Before beginning the component installation, attempting the steps described in the following sections without shutting down the server may lead to severe damage. Only qualified technicians should carry out these procedures.

 **Note:** When installing the heatsink to the CPU, use a Phillips screwdriver to tighten the 4 retaining nuts in the order of 1-4.

Follow the instructions below to remove and install the heatsink:

1. Loosen the screws that secure the heatsink in reverse order (4 → 3 → 2 → 1).
2. Lift the heatsink and remove it from the system.
3. To install the heatsink, reverse steps 1-2, ensuring that you tighten the screws in the correct order (1 → 2 → 3 → 4), as shown in the diagram.

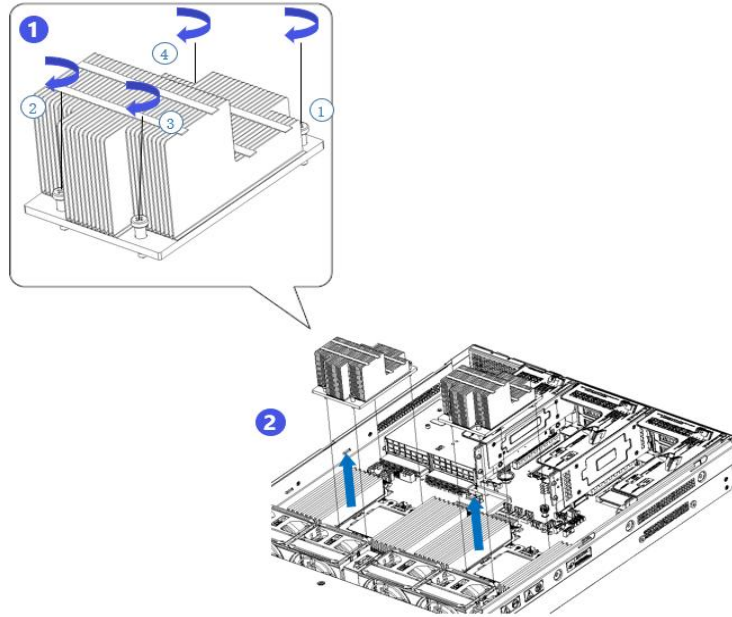



Figure 3-5

 Note: The pins on the motherboard are extremely fragile and can be easily damaged. To avoid damaging the motherboard, do not touch the processor or the contacts in the processor socket.

3.2.3 Installation of memory

The 12 memory slots controlled by CPU 0 and CPU 1 are respectively designated as DIMM_A, DIMM_B, DIMM_C, DIMM_D, DIMM_E, DIMM_F, DIMM_G, DIMM_H, DIMM_I, DIMM_J, DIMM_K, and DIMM_L. Ensure that the notch on the memory module aligns with the notch on the DIMM slot, and insert each DIMM vertically until fully seated to prevent improper installation.

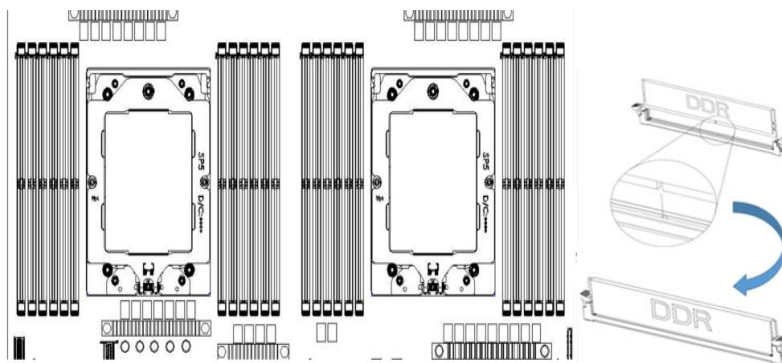


Figure 3-6

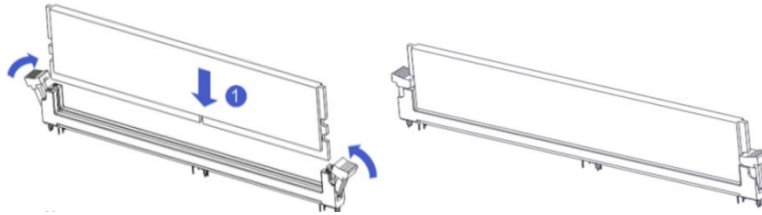




Figure 3-7

 Note: For this motherboard, please use memory modules with the same CAS latency. It is recommended to use memory from the same manufacturer, with identical capacity and frequency.

 Additionally, please note:
Within the same channel, the larger capacity memory must be installed in the first slot.

3.2.4 GPU card installation

- Step 1: Install according to the length of the GPU card to be installed.
- Step 2: Install the GPU card.

Insert the connector end of the GPU card into the motherboard connector, secure it with screws, as shown in the diagram below:

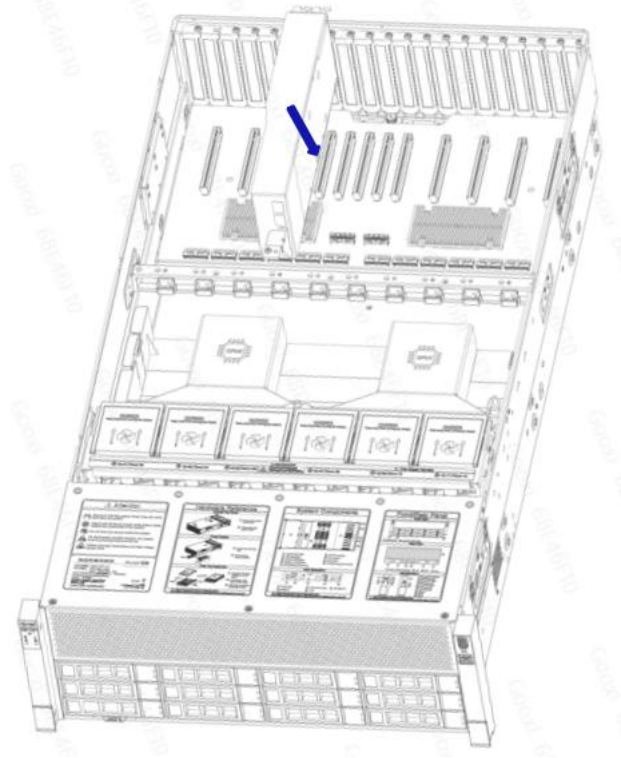


Figure 3-9

3.2.5 Server slide rail installation

- Step 1: Prepare two slide rails and pull out the inner rail.

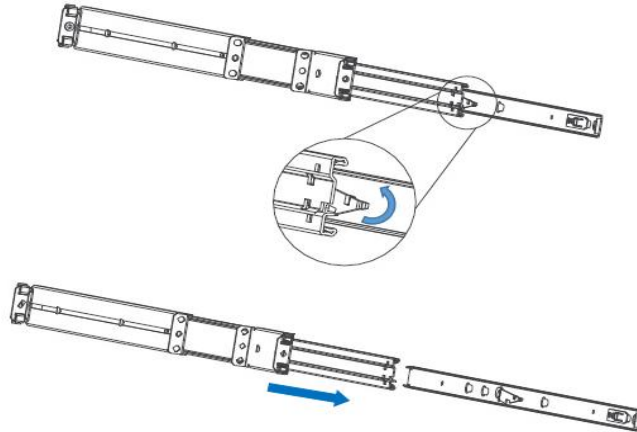


Figure 3-10

- Step 2: Fasten the inner rails to the sides of the chassis.

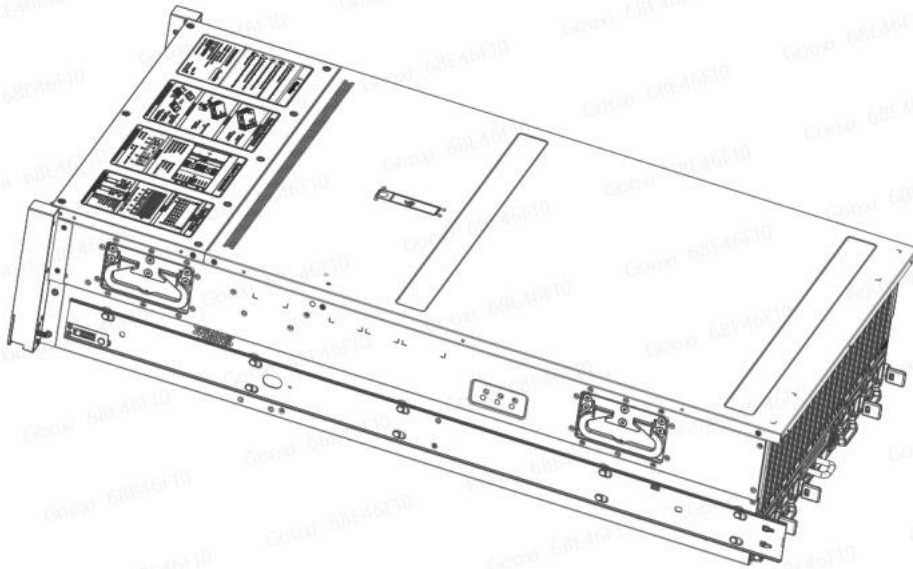


Figure 3-11

- Step 3: Install the outer rails on the cabinet brackets and secure the screws.

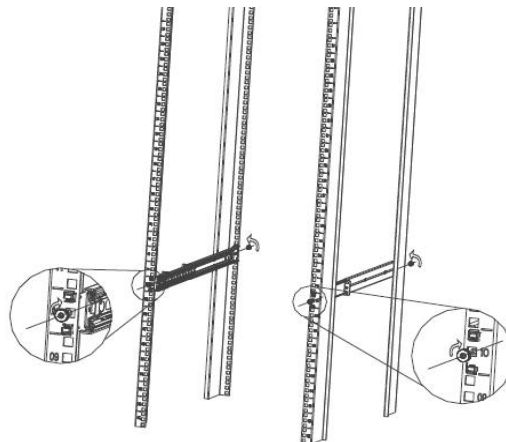


Figure 3-12

- ⚠ Note: When installing the guide rail, align it with the U-mark, and push it into place until you hear a click sound. Secure it firmly using M5 screws.
- Step 4: Align the chassis with the inner rails installed with the outer rails for installation.

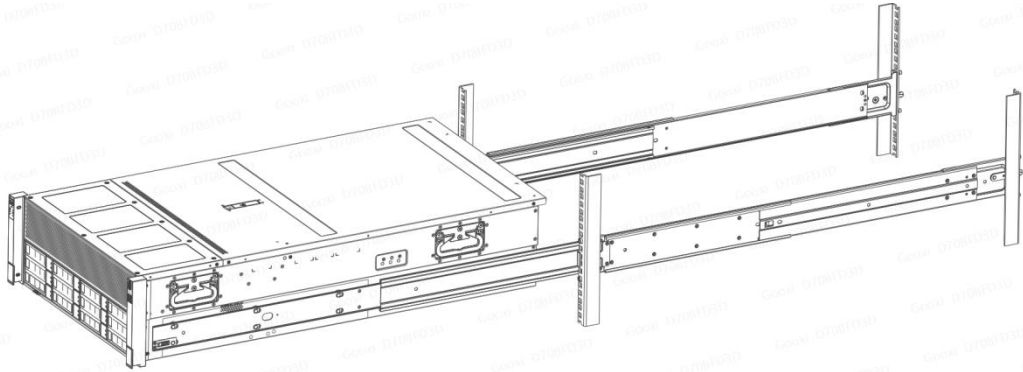


Figure 3-13

- ⚠ Note: When you push the chassis forward, you will hear a snapping sound. If you can't push it, you need to pull down the buckle of the inner rail to continue to push the chassis gently.
- Step 5: Push the chassis forward until it cannot slide and make sure that the screws are securely installed to complete the installation.

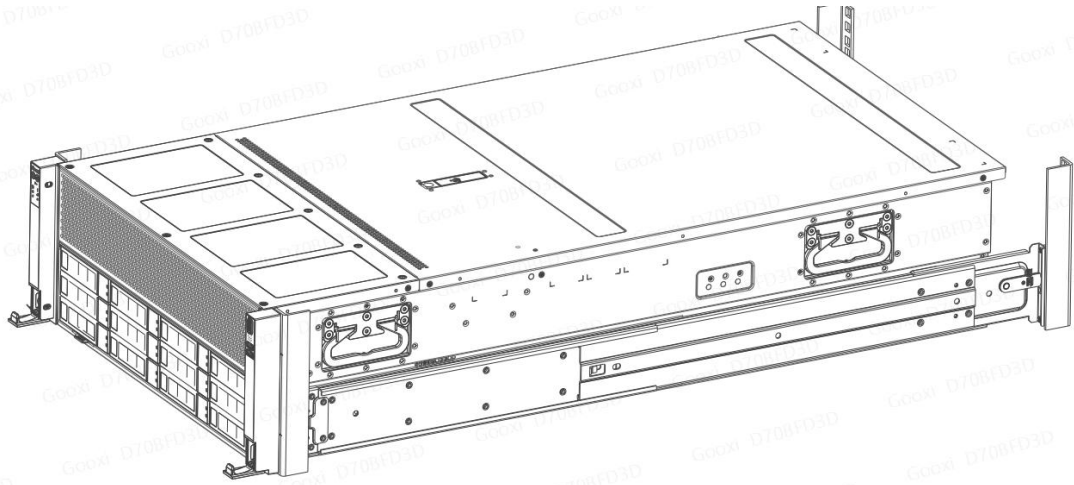


Figure 3-14

- ⚠ Note: During equipment maintenance, it is necessary to loosen the panel screws and pull the chassis lightly. Do not push or pull the chassis at random speed to avoid damage to the equipment.

4. Configuration Instructions

4.1 Initial Configuration

4.1.1 Power on and start

- Before powering on, it is necessary to ensure that all configurations of the server are installed in accordance with the corresponding specifications and standards, and keep the server turned off but not unplugged from the power supply. And all cables are connected properly, and the power supply voltage is consistent with that of the device.
- During the power-on process, please do not plug in hard drives, power modules, network cables or other external devices and cables.
- If the server has just been unplugged from the power supply, please wait for 1 minute before turning on the power.
- Server power-on power status:
The power is on, but the server is not booting up. The power indicator light is yellow.
Power on, the server starts up, and the power indicator light is green.
- How to power on the server:
The server's default power-on policy is "Power-On Boot," which means the server will automatically power on when it receives power. Users can modify this setting in the BIOS Setup interface.
- Press the or <ESC> key on the keyboard during the boot process to enter the BIOS Setup interface, and find the following interface:

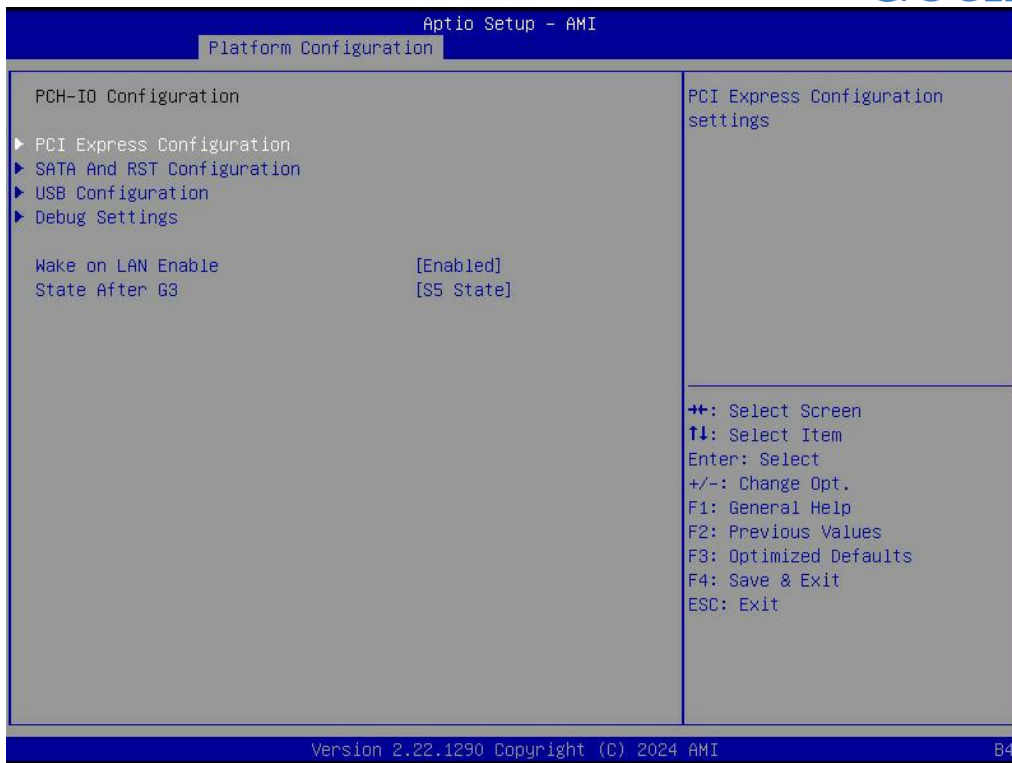


Figure 4-1

- **State After G3**
 The menu options for setting the state after entering G3 status are:
 S0 State: Power on and start up directly
 S5 State: You need to press the Power button to turn on the power
 Default: S5 State
- Logging into the iBMC management interface allows for remote power on/off control.
- Enter the BMC IP address -> enter the BMC account&password -> find the remote control interface -> power controller -> It can be executed according to requirements.



Figure 4-2



For detailed usage of BMC and BIOS, please refer to the corresponding user manual.

4.1.2 Initial data

- BMC default account: admin
- BMC default password: Gooxi@123.
- BMC default address: 192.168.100.1
- BIOS Default Password: N/A

4.1.3 Configure BIOS

Press the or <ESC> key on the keyboard during power-on and start-up to enter the BIOS Setup interface, as shown below:

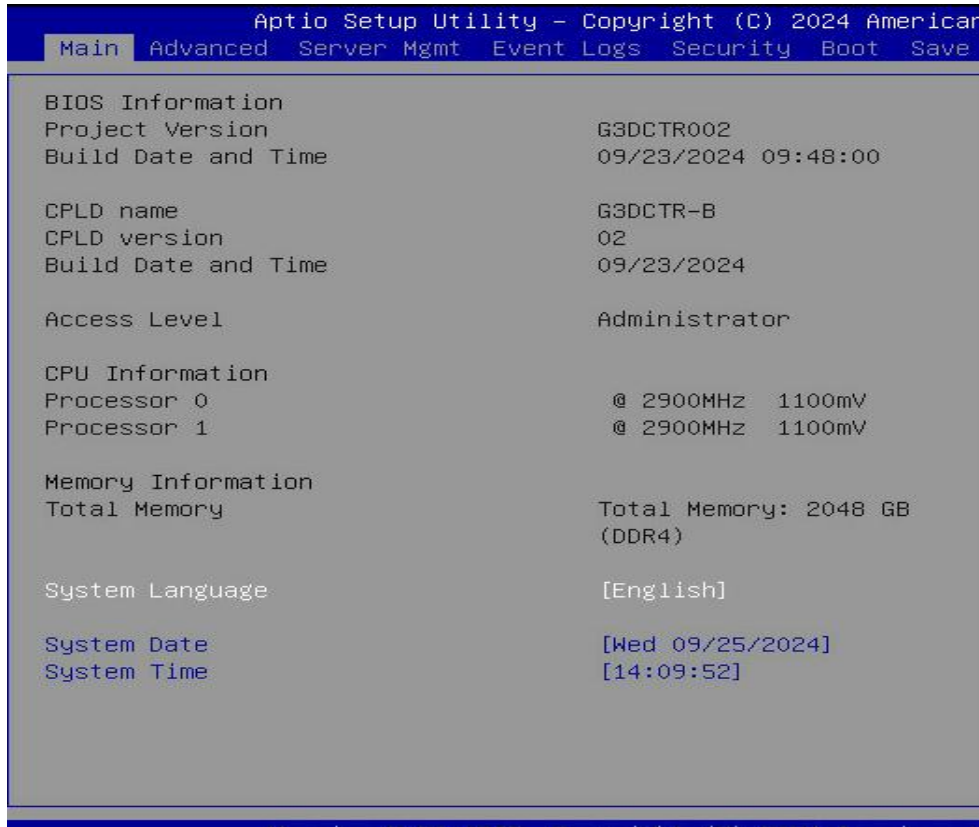


Figure 4-3

The Main interface displays the basic BIOS system information, such as the BIOS version, CPU model, and memory capacity (the specific content may vary depending on the product model). You can also set the system time here. For detailed instructions, please refer to the "BIOS User Manual".

- Navigation key description:

- ←: Select Screen
- ↑↓: Select Item
- Enter: Select
- +/-: Change Opt.
- F1: General Help
- F2: Previous Values
- F3: Optimized Defaults
- F4: Save & Reset
- ESC: Exit

4.1.4 Configure BMC

When the server is powered on, make sure that the BMC dedicated management network port cable is properly connected.

Use another device, make sure it is in the same LAN as the BMC management network, and enter the BMC IP address on the web page.

Check the BMC IP address as follows:

- After the server is powered on, turn it on. Pay attention to the POST process when starting the server. In the lower left corner of the logo screen, the IP address is displayed.
- After the server powers on, pay attention to the POST process. Press the or <ESC> key on the keyboard to enter the BIOS Setup interface. Switch to the following screen:

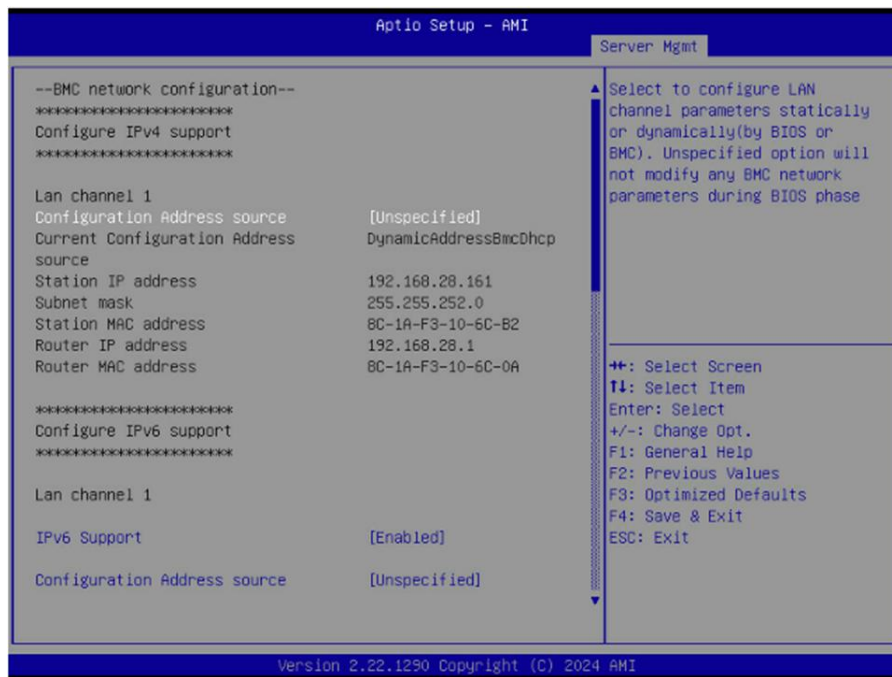


Figure 4-4

Configure IPV4 support:

- Configuration Address source
- Configure the BMC IP address allocation mode, the menu options are:
 - Unspecified: Do not change BMC parameters
 - Static: BIOS static IP setting
 - DynamicBmcDhcp: BMC runs DHCP to dynamically assign IP
 - DynamicBmcNonDhcp: BMC runs the Non-DHCP protocol to dynamically assign IP
 - Default: Unspecified

When changing from "Unspecified" to other parameters, saving and rebooting will result in the options reverting to the "Unspecified" value. There is no need to configure the BMC IP during every startup process.

- When the "Configuration Address Source" option is set to "Unspecified," it

will display the network parameters (IPv4) for the system's shared Ethernet port. The displayed information includes the current IP configuration method, BMC IP, subnet mask, MAC address, router IP, and router MAC.

- BMC Dedicated Management Channel
- Configuration Address source
- Configure the BMC IP address allocation mode, the menu options are:
 - Unspecified: No change to BMC parameters
 - Static: BIOS static IP setting
 - DynamicBmcDhcp: BMC runs DHCP to dynamically assign IP
 - DynamicBmcNonDhcp: BMC runs the Non-DHCP protocol to dynamically assign IP
- Default: Unspecified
- When changing from "Unspecified" to other parameters, saving and rebooting will result in the options reverting to the "Unspecified" value. There is no need to configure the BMC IP during every startup process.
- When the "Configuration Address Source" option is set to "Unspecified," it will display the network parameters (IPv4) for the system's dedicated Ethernet port. The displayed information includes the current IP configuration method, BMC IP, subnet mask, MAC address, router IP, and router MAC.
- Configure IPV6 support
- IPV6 Support
- Choose whether to support IPV6, the menu options are:
 - Enabeld: support IPV6
 - Disabled: does not support IPV6
 - Default: Enabeld
- When changing from "Unspecified" to other parameters, saving and rebooting will result in the options reverting to the "Unspecified" value. There is no need to configure the BMC IP during every startup process.
- When the "Configuration Address Source" option is set to "Unspecified," it will display the network parameters (IPv6) for the system's shared Ethernet port.
- IPV6 Support
- Choose whether to support IPV6, the menu options are:
 - Enabeld: support IPV6
 - Disabled: does not support IPV6
 - Default: Enabeld

- When changing from "Unspecified" to other parameters, saving and rebooting will result in the options reverting to the "Unspecified" value. There is no need to configure the BMC IP during every startup process.
- When the "Configuration Address Source" option is set to "Unspecified," it will display the network parameters (IPv6) for the system's dedicated Ethernet port.

Log in to the BMC management interface

Enter the IP address on the web page, as shown in the figure:

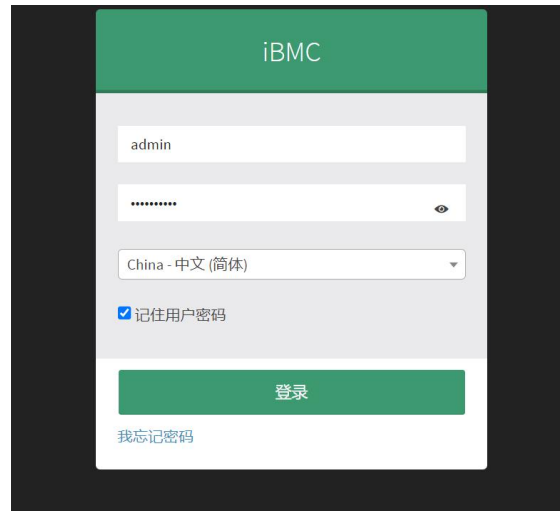


Figure 4-5

Enter the account password to enter the home page, and you can set the BMC IP address on the management interface.

On the left side of the interface, switch to "Settings Page" -> "Network Settings" -> "Network IP Settings". As shown below:

启用 LAN

LAN 界面
bond0

MAC 地址
8C:1A:F3:10:6C:B2

启用 IPv4
 启用 IPv4 DHCP

IPv4 地址
192.168.28.161

IPv4 子网掩码
255.255.252.0

IPv4 默认网关
192.168.28.1

启用 IPv6
 启用 IPv6 DHCP

IPv6 索引
0

IPv6 地址
fe80::be1a:f3ff:fe10:6cb2

子网掩码前缀长度
64

IPv6 默认网关
::

启用 VLAN

VLAN ID
0

VLAN 优先级
0

Figure 4-6

This page sets the IP address of the BMC management network port.

5. Appendix

(Common fault diagnosis)

No display after power on

- Make sure the monitor cable is properly connected and the power indicator on the monitor lights up when the monitor is powered on.
- Ensure the monitor is connected to the server.
- If the above steps do not resolve the issue, try replacing the monitor with a known working one to confirm if the original monitor is faulty.
- If the issue persists, please contact Gooxi's customer service department for resolution.

Front Panel Indicator Lights Alarm

- Refer to the instructions in the manual to determine the specific alarm information indicated by the front panel lights and buttons.
- For power failure indicator lights alarm, check if the power module indicator lights on the rear window of the server are abnormal.

If the power module indicator lights are normal, please log in to the BMC web interface to check the BMC logs for any alarms. If there are alarms, please record the specific alarm information and contact Gooxi's customer service department for resolution.

If the power module indicator lights are not normal, please ensure that the server, power module, and power cords are functioning correctly.

- For system alarm indicator lights, first check the external environment.
- For other indicator light alarms, please contact Gooxi's customer service department for resolution.

Abnormal Hard Drive Indicator Lights

- Ensure the hard drives are properly installed.
- Refer to the instructions in the manual to determine the specific alarm information indicated by the rear panel lights and buttons.
- Confirm if the RAID card is configured correctly.
- Check for any drive dropouts during OS installation. If this occurs, please contact Gooxi's customer service department for resolution.

Unable to Use RAID Card

- Ensure the RAID card is properly installed.

- Try reseating the RAID card and PCIe adapter to confirm if they are functioning correctly.
- If replacing the known working RAID card doesn't resolve the issue, please restore to factory settings and update the BIOS version. If the problem persists contact Gooxi's customer service department for further assistance and resolution.

IPMI Connection Failure

- Confirm if the BMC function is correctly enabled in the BIOS.
- Check if the switch and network cables are functioning properly. If the regular IPMI connection is not effective, check the network environment.
- Set static or dynamic IP and ensure ping connectivity. If the web interface does not open, try using a newer version of Internet Explorer.
- If the problem is not resolved, please contact Gooxi's customer service department for further assistance and resolution.

6. Scrap Recycling

- For environmental protection and resource reuse, we earnestly ask you to properly handle discarded server products.
- Before discarding the server, we recommend that you completely demagnetize the storage media, clear data, and physically destroy them to ensure that your personal data is not leaked.
- In order to recycle and reuse, please hand over the discarded server to local recycling companies for processing. This will ensure that electronic waste is properly handled and can be put back into use after environmental treatment.